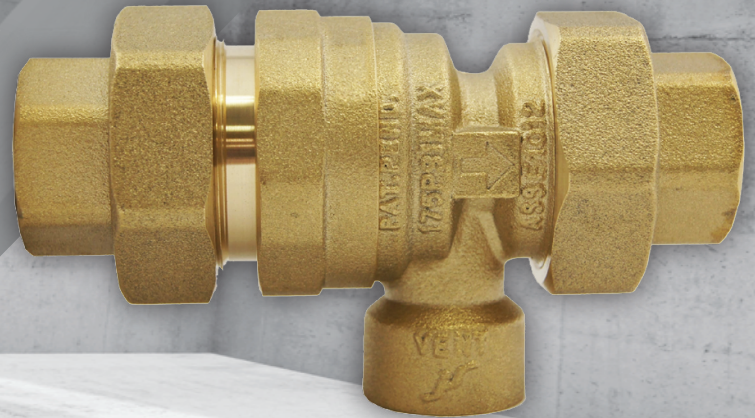


Dual Check Backflow Preventer

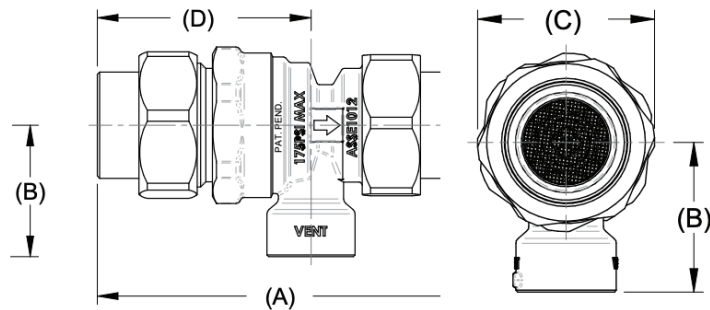
The Flamco dual check lead free backflow preventer with atmospheric port is designed to prevent the backflow of boiler system fluid into the potable water supply.

Designed for either cold or hot water applications with a temperature range of 33-210° F, the BFPNL Series with ASSE 1012 certification is suitable for both residential and commercial systems.



Features:

- Maximum working pressure: 175 psi
- Inlet temperature range: 33°F - 210°F
- Maximum backflow temperature: 250°F
- Glycol: Up to 50%
- Can be installed horizontally or vertically (flow up condition only)
- Lead free



Model	Dimensions (inches)				Part Number
	A	B	C	D	
1/2" FNPT x 1/2" FNPT	4.1	1.6	1.9	2.4	BFPNL-050F
1/2" SWT x 1/2" SWT	3.9	1.6	1.9	1.3	BFPNL-050S
3/4" FNPT x 3/4" FNPT	4.3	1.6	1.9	2.5	BFPNL-075F
3/4" SWT x 3/4" SWT	4.4	1.6	1.9	2.6	BFPNL-075S