



Boiler Feed Valve

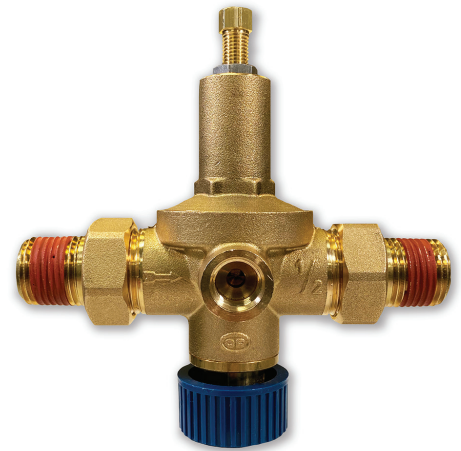
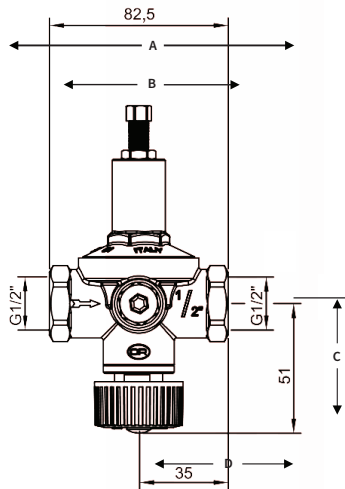
The Flamco Autofill boiler feed valve is designed to fill the boiler and maintain the desired water pressure in the system at all times.

The Autofill valve includes a stainless steel filter to help prevent system debris buildup inside the body, a pressure gauge to confirm accuracy, and a shutoff valve to prevent automatic filling in the event of a system leak.



Features:

- Maximum working pressure: 145 psi
- Allowable setting range: 7 – 58 psi
- Maximum working temperature: 230°F
- Glycol: Up to 50%
- Connections: 1/2" MNPT
- O-Ring Washers: EPDM Rubber
- Filter: Stainless Steel



Model	Dimensions (inches)				Part Number
	A	B	C	D	
Autofill 1/2" NPT	5	2.8	2	2.5	AF-050M