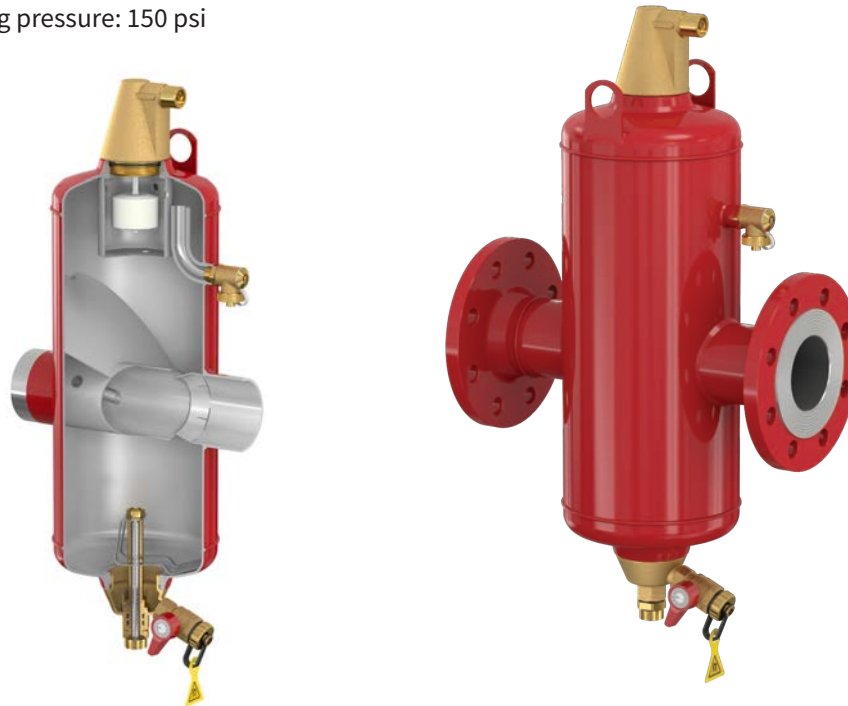




## Magnetic Air & Dirt Separator

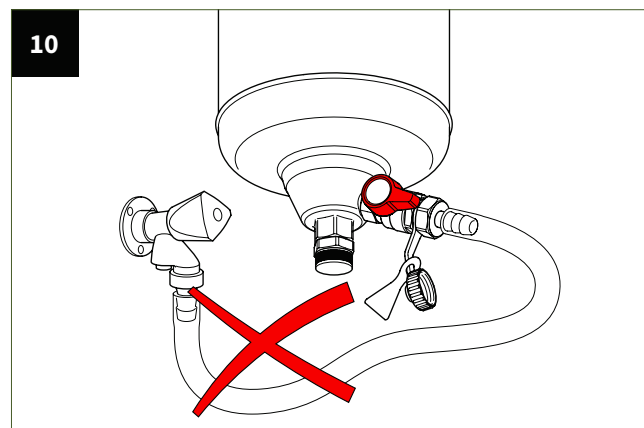
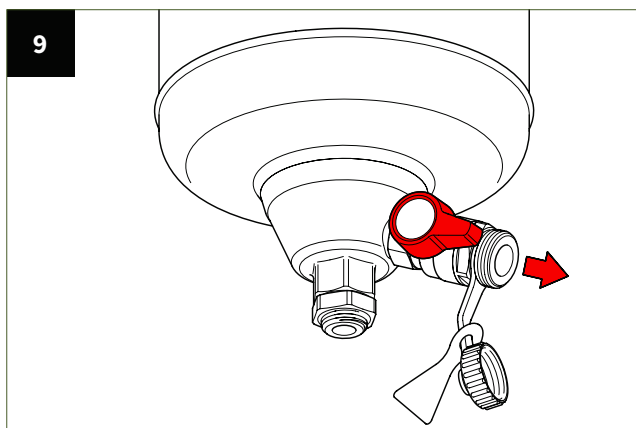
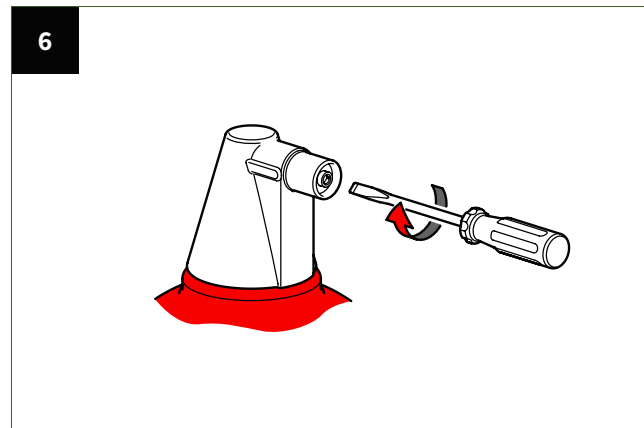
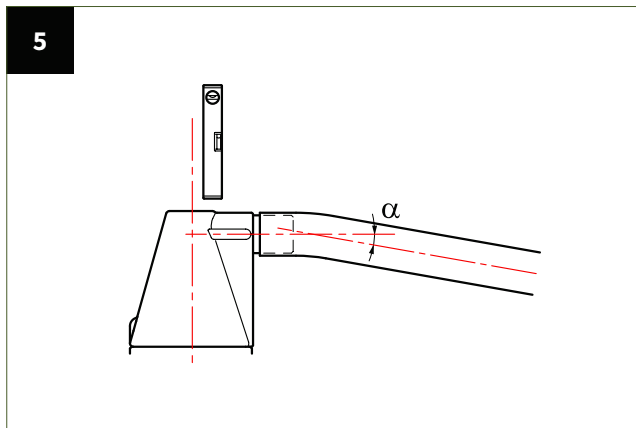
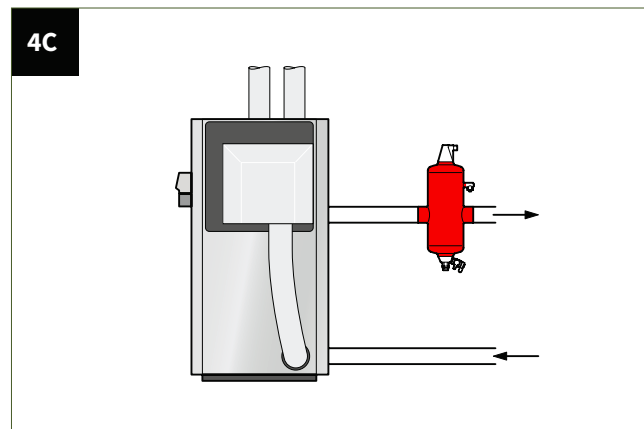
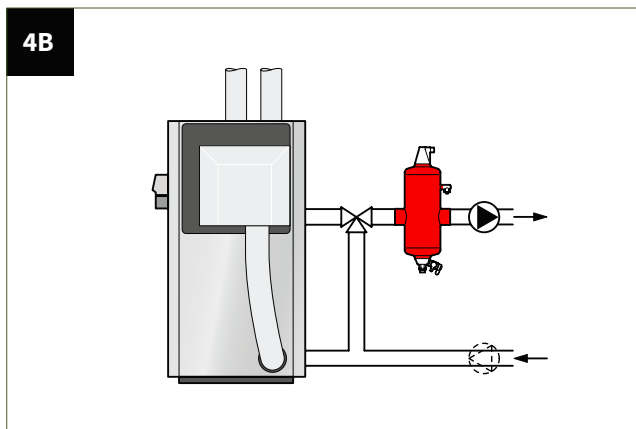
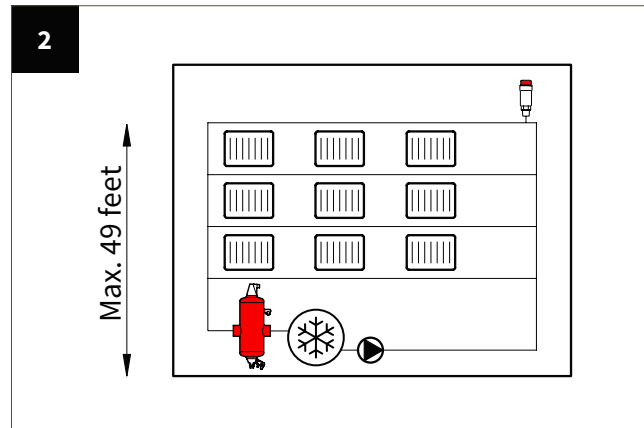
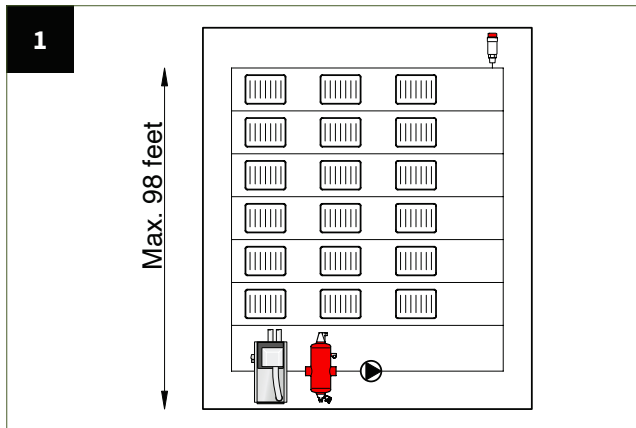
The new Flamcovent Clean Smart air and dirt separator range removes even the smallest microbubbles and minuscule dirt particles from the system water. They are close to maintenance-free and the flow resistance is negligibly low, which saves energy. An exceptional rate of at least 40% of the air and dirt is separated per cycle while using only 10% extraction of the main flow.

- Maximum system temperature: 250 °F
- Maximum operating pressure: 150 psi

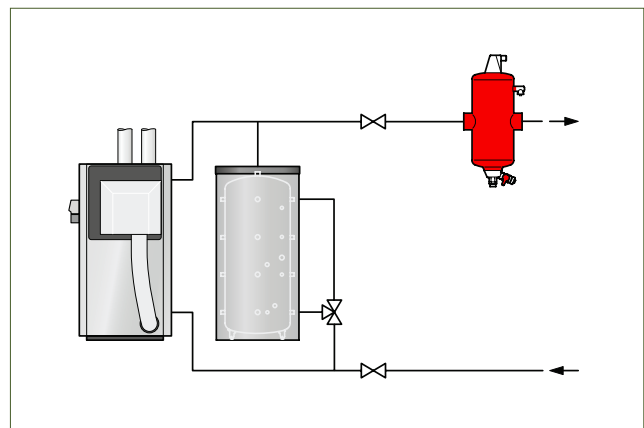
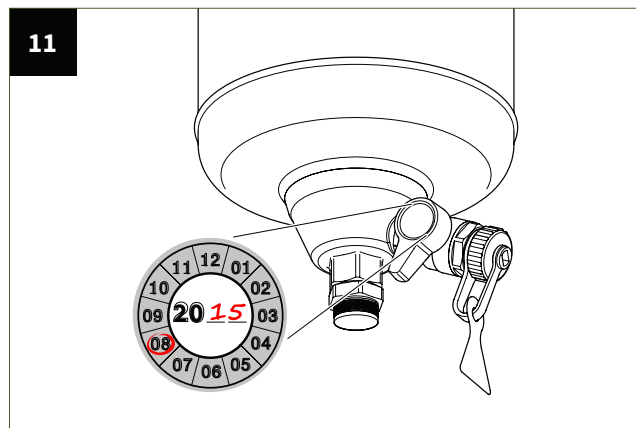
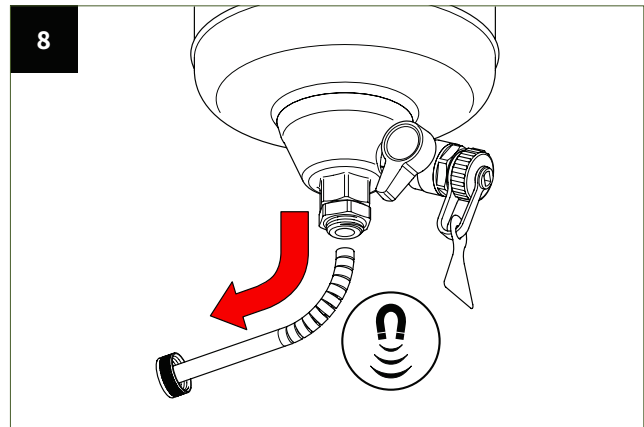
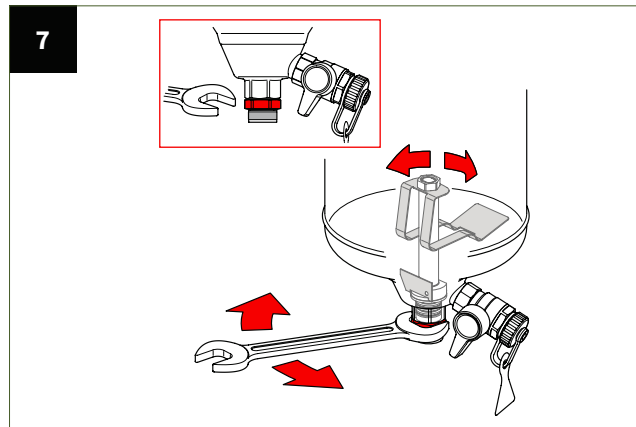
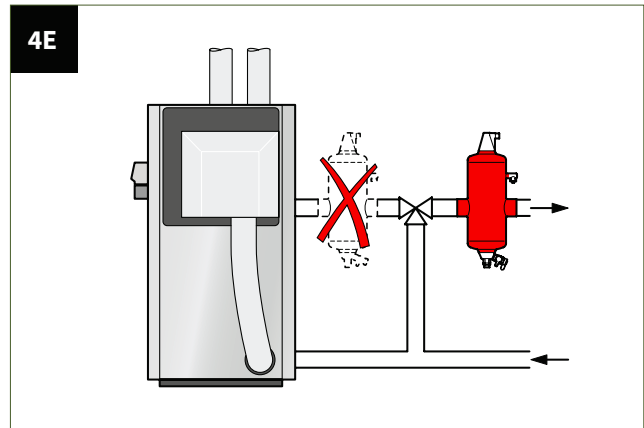
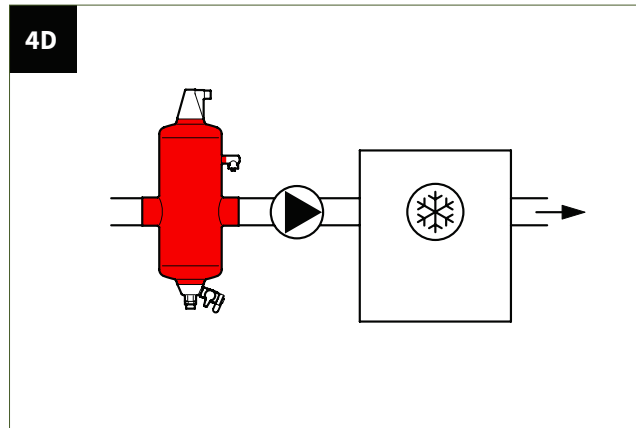
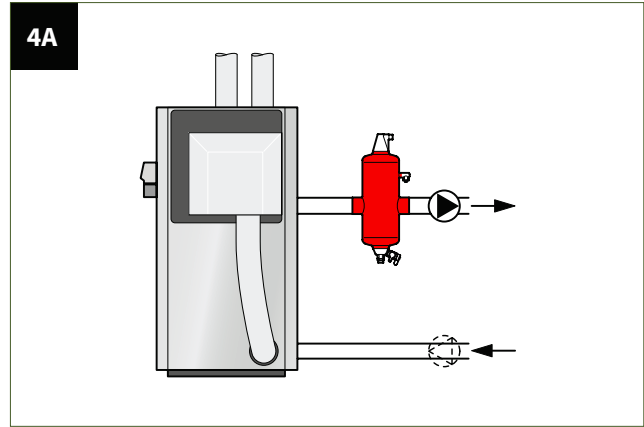
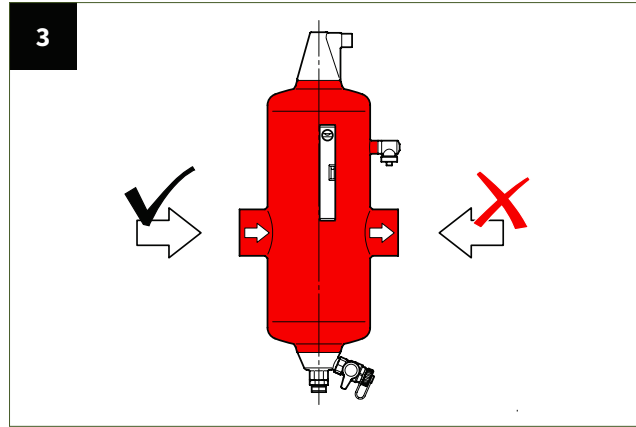


Model	Connection (in)	Dimensions (in)				Weight (lbs)	Capacity (gallons)
		A	B	C	D		
FSADS-200A	2	23.74	13.78	13.11	6.89	36	2.1
FSADS-250A	2.5	23.74	13.78	13.11	6.89	38	2.6
FSADS-300A	3	31.30	18.5	17.13	10.63	62	8.7
FSADS-400A	4	31.30	18.5	17.13	10.63	72	8.7
FSADS-500A	5	38.07	25.00	20.28	14.17	120	20.6
FSADS-600A	6	38.07	25.00	20.28	14.17	139	20.6
FSADS-800A	8	50.39	30.47	27.76	17.72	190	41.7
FSADS-1000A	10	63.78	38.98	35.12	23.62	363	97.7
FSADS-1200A	12	70.24	39.61	40.63	23.62	440	109.6
FSADS-1400A	14	79.84	47.80	43.66	31.50	770	221.8
FSADS-1600A	16	86.65	48.03	49.29	31.50	847	244.7
FSADS-2000A	20	103.46	62.20	57.87	39.37	1639	466.8
FSADS-2400A	24	122.99	73.62	69.71	47.24	2365	806.8

# Flamcovent Clean Smart



# Flamcovent Clean Smart



# Flamcovent Clean Smart

## General

The Flamcovent Clean Smart may be hot during operation.  
Minimum and maximum system temperature: **14°F to 250°F**  
Minimum and maximum system pressure: **150 PSI**  
Maximum flow velocity: **9.8 f/s**

Maximum static height above Flamcovent Clean Smart  
Central heating: **98 Feet (fig. 1)**  
Cooling system: **49 Feet (fig. 2)**

## Safety Requirements

This product contains a powerful magnet. Care must be taken with in the vicinity of pacemakers, data carriers, and other products that are sensitive to magnetism.  
Installation and maintenance must be carried out by qualified personnel only.

Observe local regulations and guidelines.

## Installation

Do not install product above suspended ceiling or in the vicinity of electronic installations!  
Install the Flamcovent Clean Smart in a dry location not susceptible to frost and which is easily accessible for maintenance purposes. Flush the installation thoroughly before installing the Flamcovent Clean Smart.

For optimum efficiency, the connection diameter of the Flamcovent Clean Smart must correspond to the pipe diameter of the system. It is further recommended that the inlet pipe into the device be a straight pipe having a length of no less than 5 times the nominal pipe diameter. The use of reducing couplings is not recommended. Always install the product perpendicular (air vent at top) **(fig. 3)**. Install the Flamcovent Clean Smart in the direction of flow in accordance with the arrow shown on the connection.

The Flamcovent Clean Smart must be installed in accordance with the primarily desired function (either dirt or air separation) as follows **(fig. 4A, 4B, 4C, 4D, 4E)**

If the primarily function is dirt separation: install before the boiler in the return line.

The Flamcovent Clean Smart must be installed in accordance with the primary desired function...if the primary function is dirt separation...if the primary function is air separation

# Flamcovent Clean Smart

## Inspection and Maintenance

Perform regular visual inspections.

In the event of a leak from the air vent, it may be close with the screw (**fig. 6**).

The dirt that collects at the bottom of the Flamcovent Clean Smart can be removed with the aid of the drain valve (**fig. 9**). Before draining, rotate the scraper and remove the magnet (**fig. 7 & 8**). open the drain valve and let it wash away the dirt. Close the drain valve and place the magnet back.

A hose can be attached to the drain valve as required. Only use the drain valve for draining dirty system water, never for filling or draining the installation (**fig. 10**).

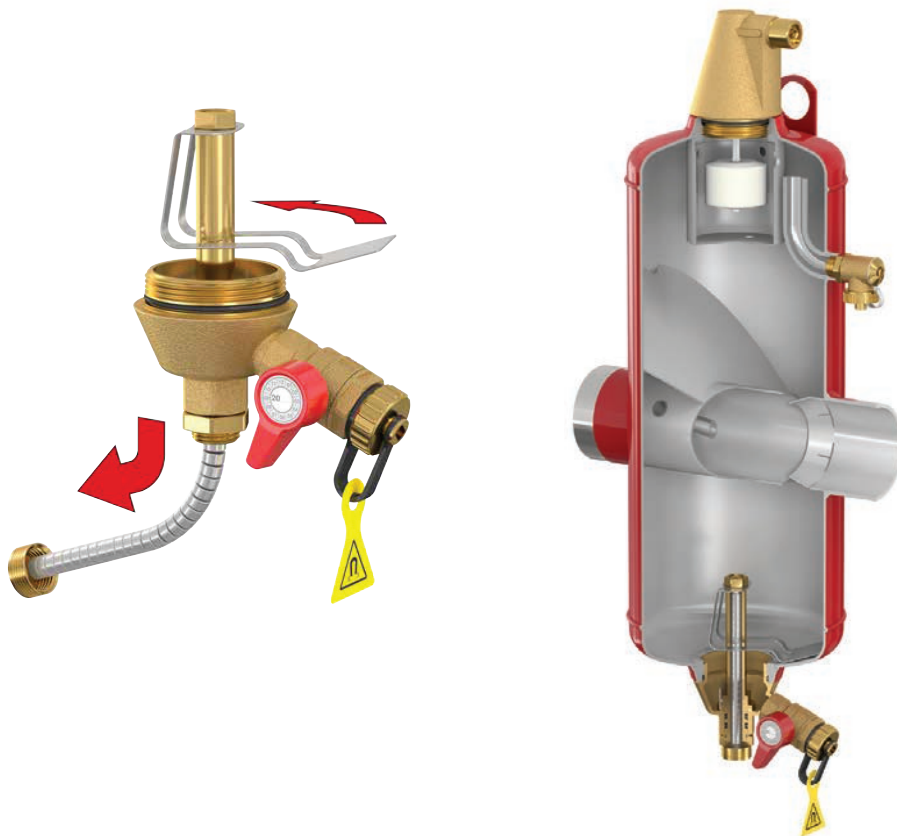
Use the Nexus Service stickers to record dates of maintenance on the handle of the drain valve (**fig. 11**).

Only carry out the maintenance when the system has cooled down, remembering to take account of the pressure.

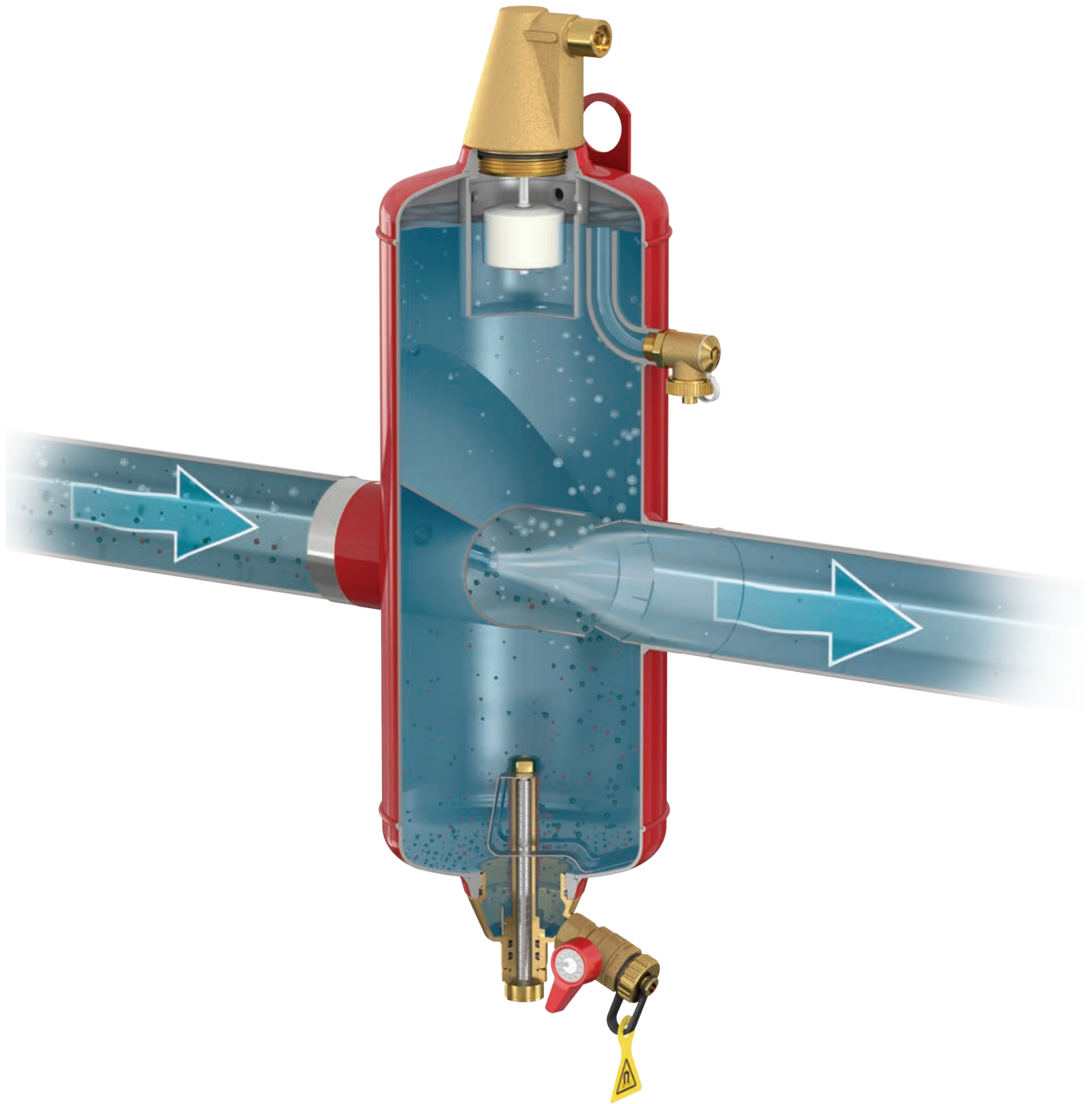
## Removal

Depressure the cooled system and remove the Flamcovent Clean Smart from the system.

Observe local regulations for disposing of the various parts of the Flamcovent Clean Smart



# Flamcovent Clean Smart



No part of this publication may be reproduced or published in any way without explicit permission and mention of the source. The data listed is solely applicable to Flamco products. Flamco shall accept no liability whatsoever for incorrect use, application, or interpretation of the technical information. Flamco reserves the right to make technical alterations.