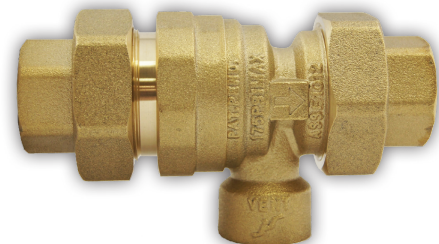
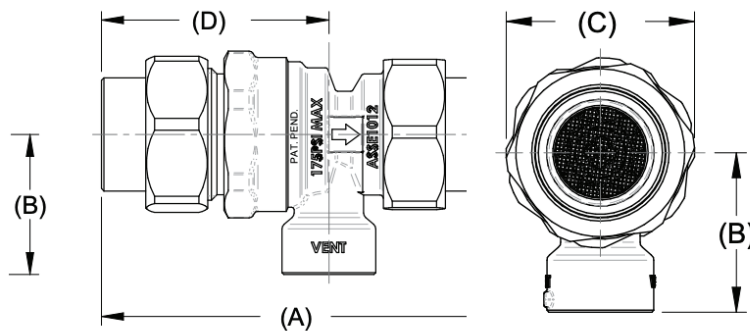


Dual Check with Atmospheric Port

The Flamco dual check lead free backflow preventer with atmospheric port is designed to prevent the backflow of boiler system fluid into the potable water supply. Designed for either cold or hot water applications with a temperature range of 33-210° F, the BFPNL Series with ASSE 1012 certification is suitable for both residential and commercial systems.

- Maximum working pressure: 175 psi
- Inlet temperature range: 33°F - 210°F
- Maximum backflow temperature: 250°F
- Glycol: Up to 50%
- Can be installed horizontally or vertically (flow up condition only)
- Lead free

Model	Dimensions (in)				Part Number
	A	B	C	D	
1/2" FNPT x 1/2" FNPT	4.1	1.6	1.9	2.4	BFPNL-050F
1/2" SWT x 1/2" SWT	3.9	1.6	1.9	1.3	BFPNL-050S
3/4" FNPT x 3/4" FNPT	4.3	1.6	1.9	2.5	BFPNL-075F
3/4" SWT x 3/4" SWT	4.4	1.6	1.9	2.6	BFPNL-075S



Installation

The BFPNL should be installed horizontally in an easily accessible location for repair and testing. Before installation, flush the system to remove any existing sediment. The arrows on the BFPNL should align with the direction of the system flow.

Installation Instructions

1. Before installing this device, flush lines to remove all sediment.
2. Install the BFPNL Dual Check Valve with the arrow in the direction of the flow. The valve may be installed horizontally or vertically.
3. The BFPNL Dual Check Valve should be installed where maintenance can be easily completed.
4. Protect the BFPNL Dual Check Valve from freezing conditions.
5. As in any piping system, provisions should be made to minimize water hammer and thermal expansion. These conditions can create damaging and dangerously high internal pressures.

Maintenance

1. Turn off water supply.
2. Loosen union nut and remove valve from the line.
3. Note the direction of the checks and the location of the O-rings.
4. Push check modules out of the valve.
5. Clean all internal components.
6. Replace all internal parts in proper order.
7. Reinstall valve and turn on water.

Attention!



PROPOSITION 65 WARNING: This product contains a chemical known to the state of California to cause birth defects or other reproductive harm.

INSTALLER: California law requires that this warning be given to the consumer.

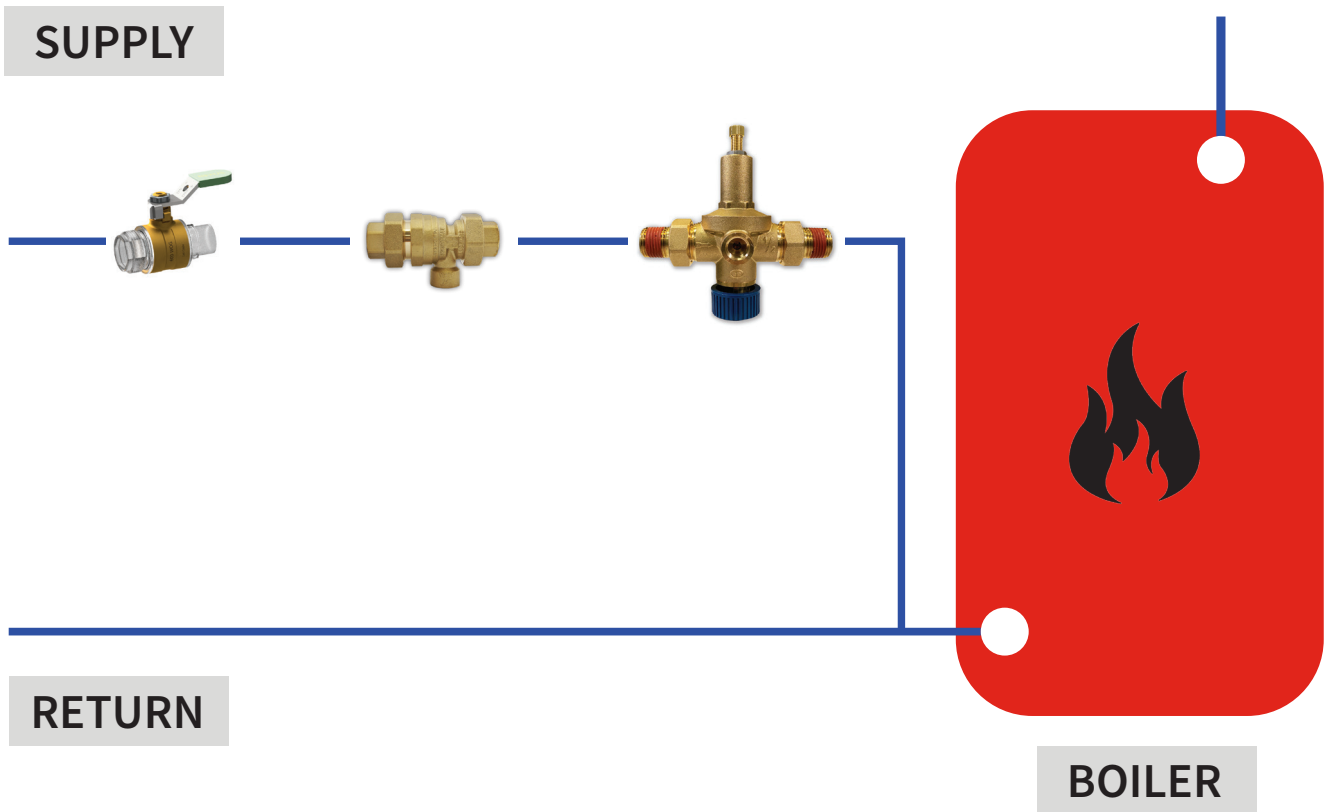
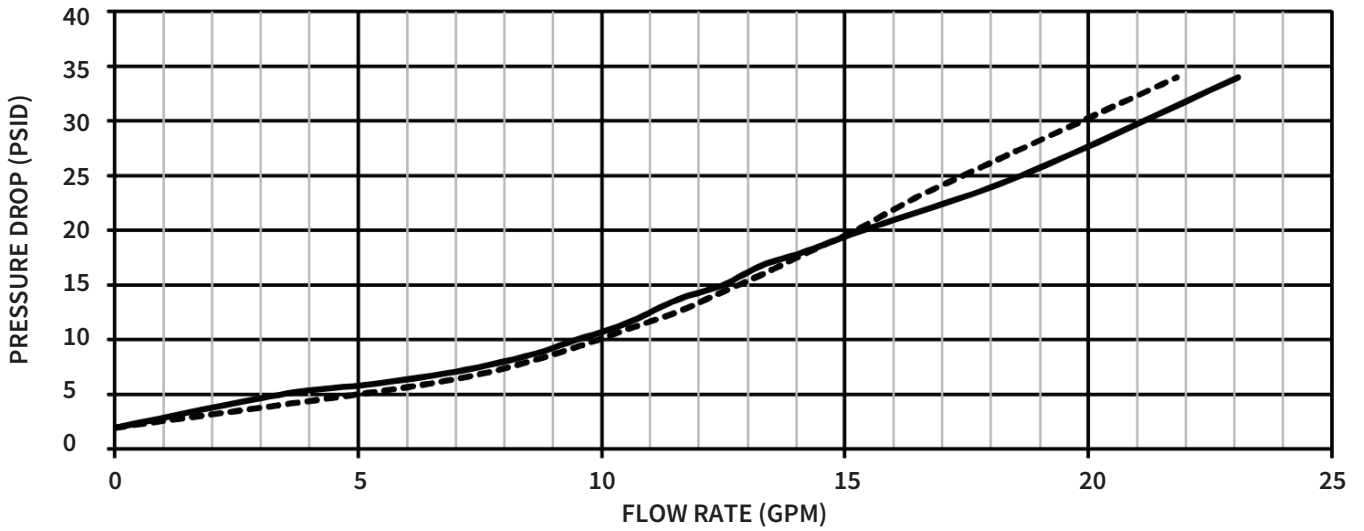


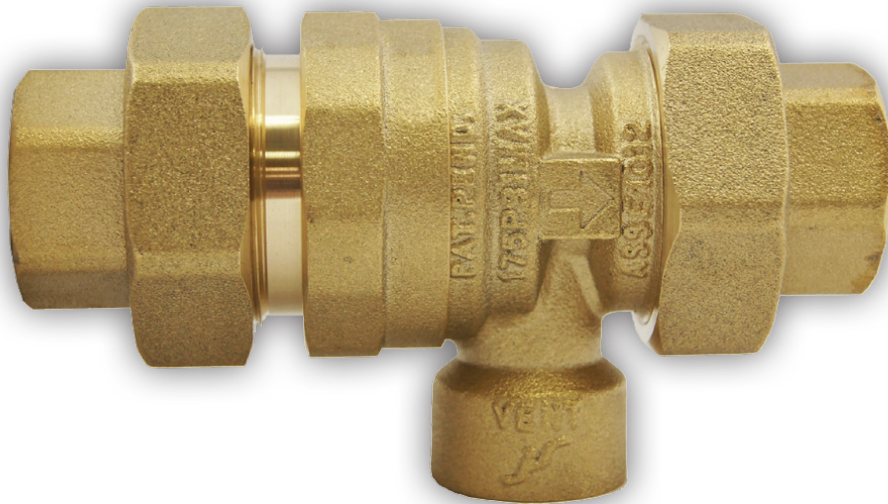
B64.6



1012

BFPNL (1/2" & 3/4") FLOW vs PRESSURE DROP CURVE





No part of this publication may be reproduced or published in any way without explicit permission and mention of the source. The data listed is solely applicable to Flamco products. Flamco shall accept no liability whatsoever for incorrect use, application, or interpretation of the technical information. Flamco reserves the right to make technical alterations.